

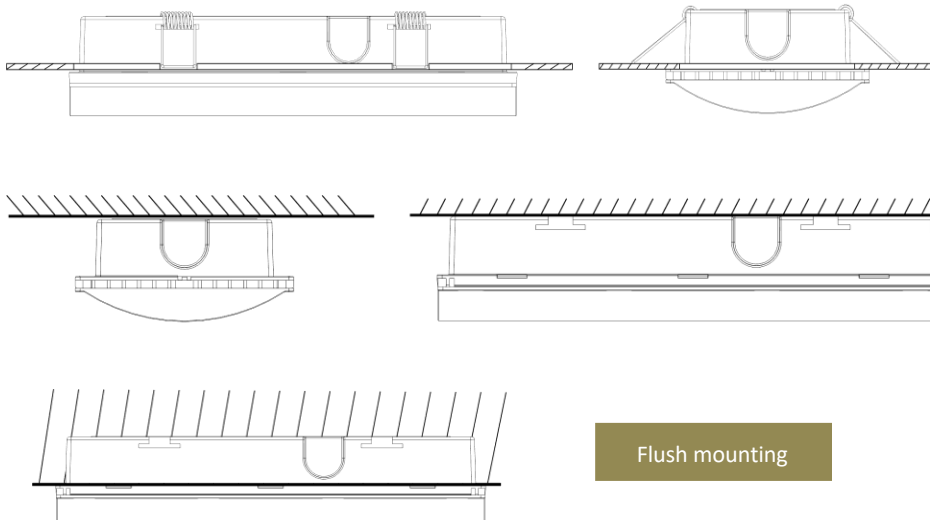
Standard Feature

- Flame retardant ABS housing
- Ceiling mounting, Flush mounting, Embedded mounting
- LED: SMD 2835, 6000K
- IP65 ingress protection, suit for indoor or outdoor
- ENEC CB CE SAA certification, Rosh compliance
- Over charge and over discharge protection
- Working/fault status bi-color indicator and test button
- Fault self- diagnostics test and alert function

Electrical Feature

- Input voltage: 220-240VAC 50/60Hz
- LED Source:12W (0.2W*60pcs) LED 6000k
- LED power consumption: 2.4W
- Operate: Switchable Maintained, Maintained and Non-maintained
- Test: Button self-test +Auto self-test
- Battery: Self contained Li-ion battery
- Charge time: 24hours and 16hours for SAA
- Discharge duration: 1hour, 2hours, 3hours

Mounting type



Embedded mounting

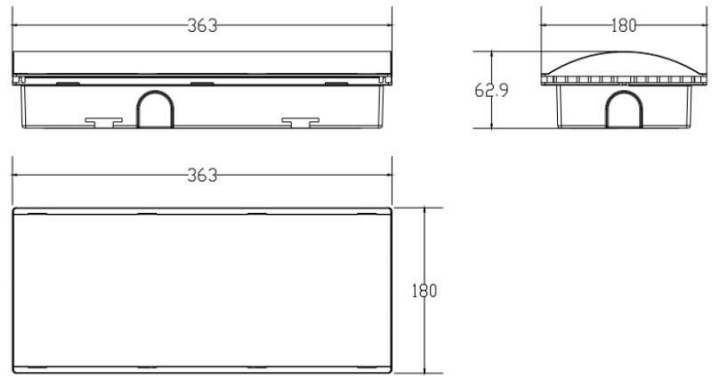
ceiling mounting

Flush mounting

Ordering Guide

Model No	Test	Duration	Battery	Flux(AC/DC)	Operate Type	illumination
ILS-NV-1H-AT	Button self-test	1 hour	3.7V,1200mAH	260LM	Maintained	Escape route and open area
ILS-NV-2H-AT	+Auto self-test+	2 hours	3.7V,2200mAH		Non-Maintained	
ILS-NV-3H-AT	Fault self- diagnostics test	3 hours	3.7V,2600mAH		Switchable Maintained(ACEG)	

Switchable Maintained(ACEG) /Maintained /Non-Maintained operation type can using jumper cable by customers



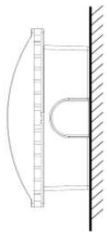
Standard Feature

- Injection molded Flame retardant ABS housing
- LED bright SMD 2835,CCT 6000K
- Li-ion battery
- over charge and over discharge protection
- Working/fault status bi-color indicator and test button
- Fault self- diagnostics test and alert function
- ENEC CB CE SAA certification, Rosh compliance
- Single face , Replaceable pictogram design
- Wall mounting, Flush mounting

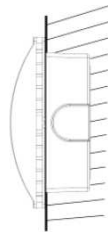
Technical Specification

Input voltage	220-240VAC 50/60Hz
LED Power consumption	Max. 2.4W
Charge time	24 hours (16 hours for SAA)
Discharge duration	1hour, 2hours, 3hours
Test facility	Button self-test +Auto self-test
Operation	Maintained and Non-Maintained
Viewing distance	32m
Flux	100lm
Luminance of safety sign	>15cd/m ²
Degree of protection	IP65

Mounting type

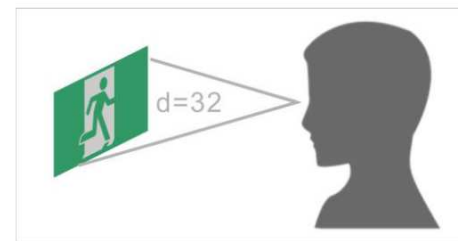


Wall mounting



Flush mounting

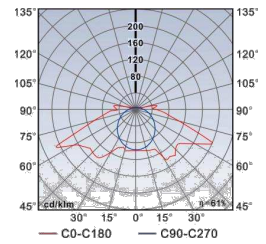
Pictogram Feature



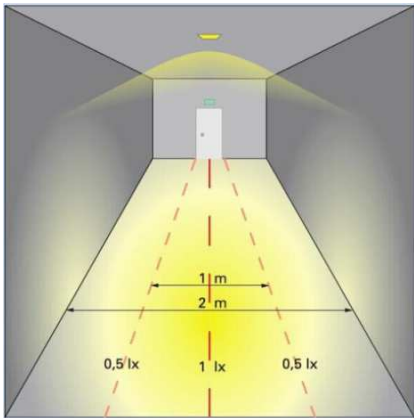
Ordering Guide

Model No	Duration	Battery	Test	Type	Viewing distance	Face plate	Lamp
ILS-NV-1H-MT	1 hour	3.7V,1200mAH	Button self-test +Auto self-test+ Fault self- diagnostics test	Maintained / Non-Maintained	32m	Single	LED
ILS-NV-2H-MT	2 hours	3.7V,2200mAH					
ILS-NV-3H-MT	3 hours	3.7V,2600mAH					

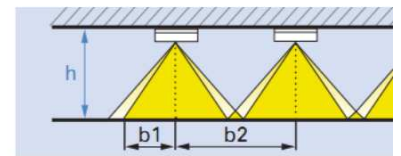
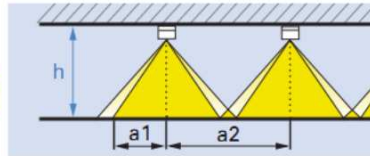
“ ● Maintained /Non-Maintained operation type can using jumper cable by customers



Illumination of escape routes **EN 1838N 4.2.1**

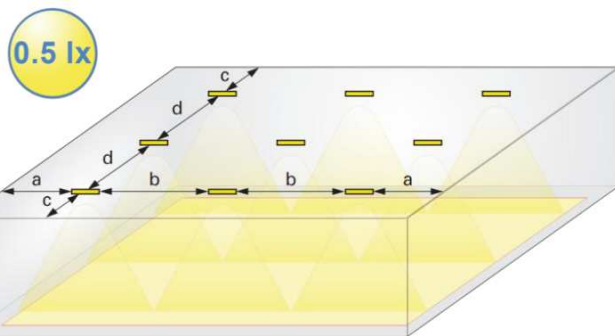


1 lx



Height h (m)	a1 (m)	a2 (m)	b1 (m)	22 (m)
2.00	3.4	7.12	3.90	9.28
2.50	4.2	8.6	4.45	9.82
3.00	4.78	10.0	4.64	9.97
3.50	3.04	8.55	4.72	11.98
4.00	1.12	8.30	4.56	12.40

Illumination of open area > 60m² (anti-panic Illumination) **EN 1838**

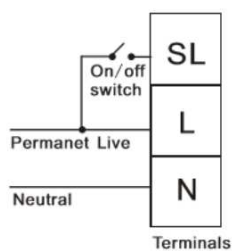


0.5 lx

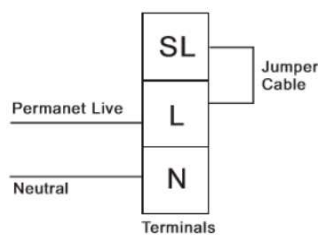
Height h (m)	a (m)	b (m)	c (m)	d (m)
3.00	2.70	7.76	5.66	10.92
4.00	2.12	7.24	7.12	13.88
5.00	3.45	8.86	2.02	10.40
6.00				

- Switchable Maintained (ACEG) /Maintained /Non-Maintained operation type can using jumper cable by customers

Switchable Maintained



Maintained



Non-Maintained

