



Features in different aspects

1. Structure

Rotatable LED bars make more flexible and efficient light distribution. Anodized aluminum bars, stainless steel screws and powder-coated holders and bracket make the whole lamp anti-corrosive without cracking or peeling. Rotation degrees are marked on housing and LED bars

Optional stainless steel installation bracket and holders.

Finlike heatsink design provides perfect heat management and improves working lifetime. Modular design not only allows easy assembly and maintenance but also provides flexibility of power consumption. IP66 (EN60529 compliant) rated to the luminaire.

2. LED & Optics

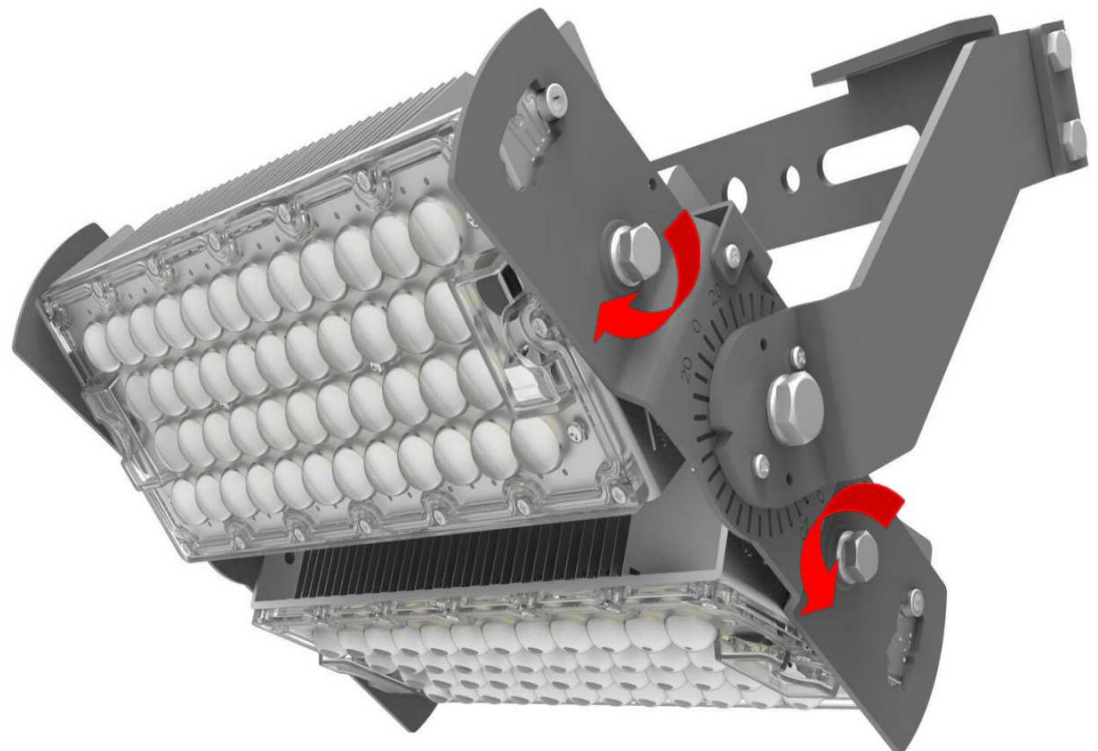
LM-80 tested SMD LED (L70 life expectancy >50,000 hours) is adopted.

Regular 5000K color temperature with CRI70. Light efficacy for total system is up to 155lm/W.

20, 40, 60, 90, H140*V100 degree lenses eliminate the waste of light.

3. Drivers

MEANWELL HLG Series drivers with 90-305Vac input voltage, 7-year warranty.



Picture of LS200



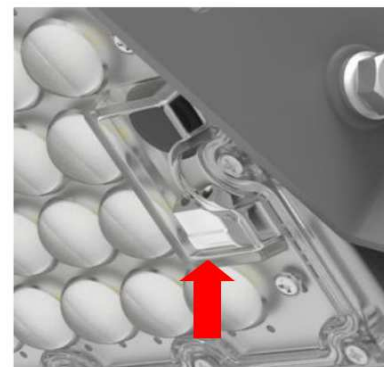
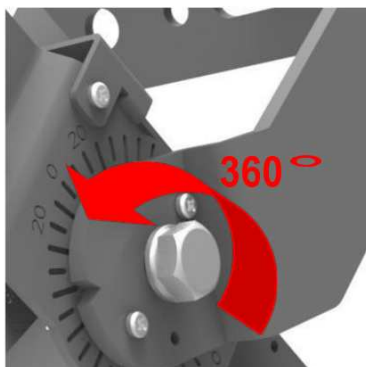
Specifications

Model	LS2-100	LS2-150	LS2-200	LS2-250	LS2-300	LS2-400	LS2-500	LS2-600	LS2-700	LS2-800	LS2-900
Power	100W	150W	200W	250W	300W	400W	500W	600W	700W	800W	900W
Lumen output	15,500lm	23,250lm m	31,000lm m	38,750lm	46,500lm m	62,000lm m	77,500lm m	93,000lm	108,500lm m	124,000lm m	139,500lm m
Dimensions (L*W*H)	310*116 *190 mm	362*343 *132 mm	362*343 *132 mm	362*475 *132 mm	362*475 *132 mm	362*597 *132 mm	650*475 *132 mm	650*475 *132 mm	650*475 *132 mm	650*597 *132 mm	650*597 *132 mm
Light efficacy	Up to 155 lm/W										
CCT	3000-6500 Kelvin										
CRI	>70										
Input	90-305Vac, 50 / 60 Hz										
Operating temperature	-40 up to +60 °C										
Beam angle	20, 40, 60, 90, H140*V100 degree lenses										
Dimming	1~10Vdc / 10V PWM signal / resistance / Timer dimming										
IP Rating	IP66										
LED junction temperature	≤70 °C @ Ta≈40 °C										
housing color	Gray or other customized color										
Life span	>50,000 hours										

Features Illustration



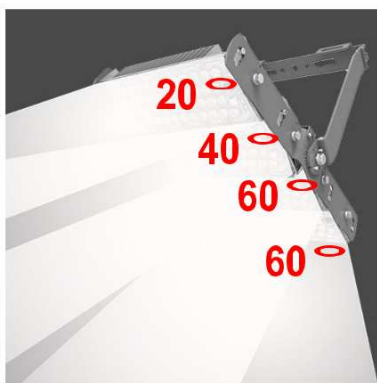
Rotatable LED bars make flexible and efficient light distribution, Rotation degrees are marked on housing and LED bars



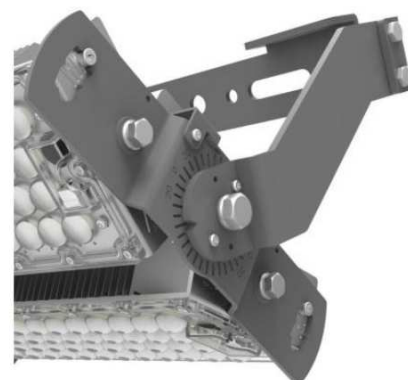
WAGO connector for easy maintenance and repairing



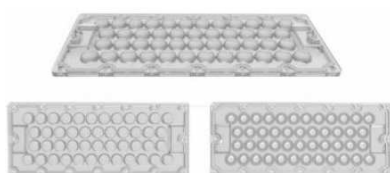
Very lightweight
200W 5KG, 600W 12.5KG



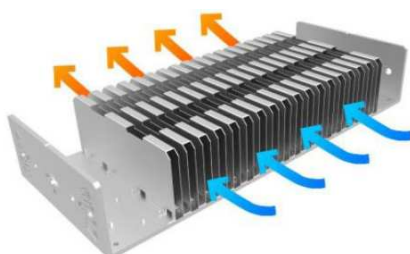
Different degree lenses to get highly uniformity



304/316 stainless steel screws
Optional 304 installation bracket and holders



Optional 20, 40, 60, 90,
H140*V100 degree lens
155 lm/W for whole system

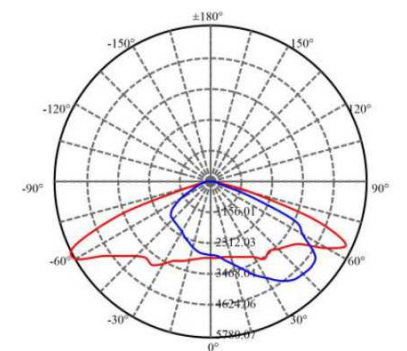
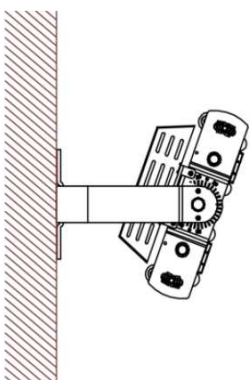
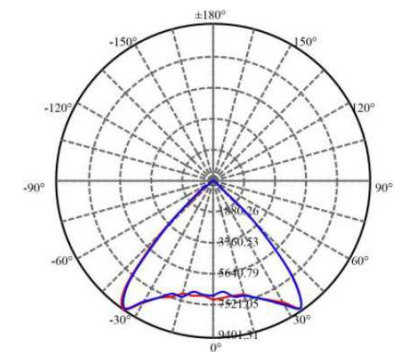
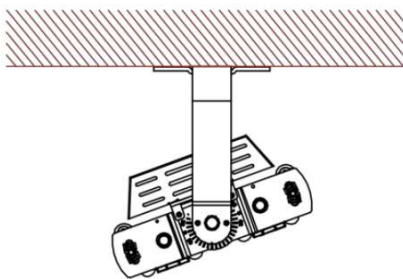
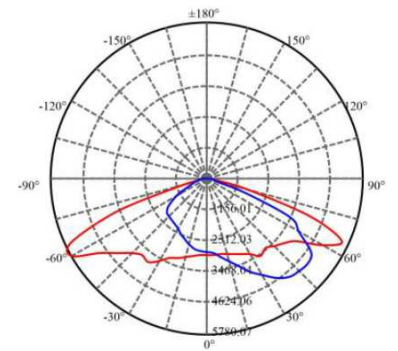
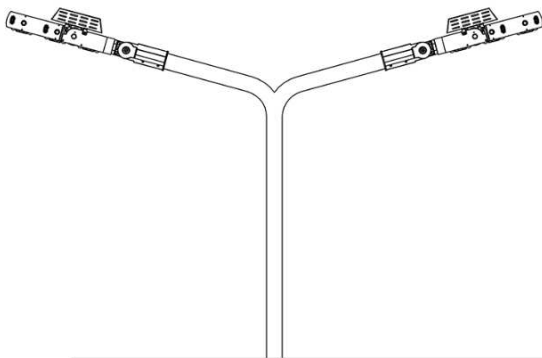
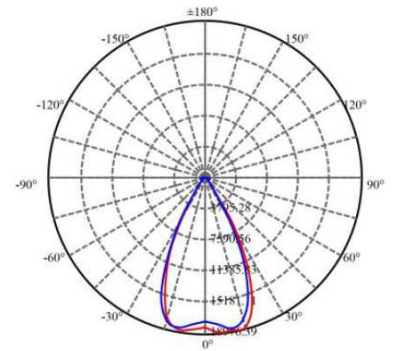
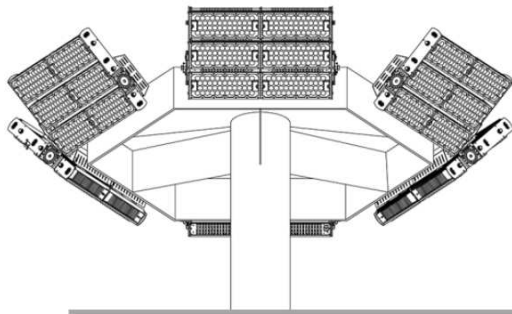
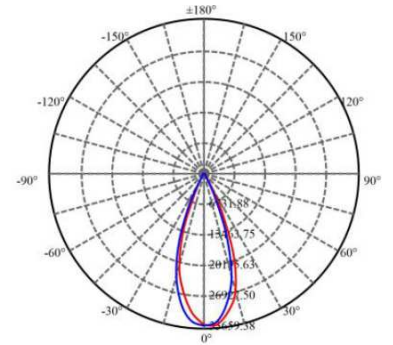
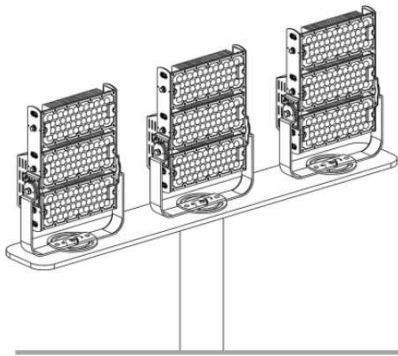


Finlike heatsink, LED junction
temperature (@Ta=40°C) ≤70°C

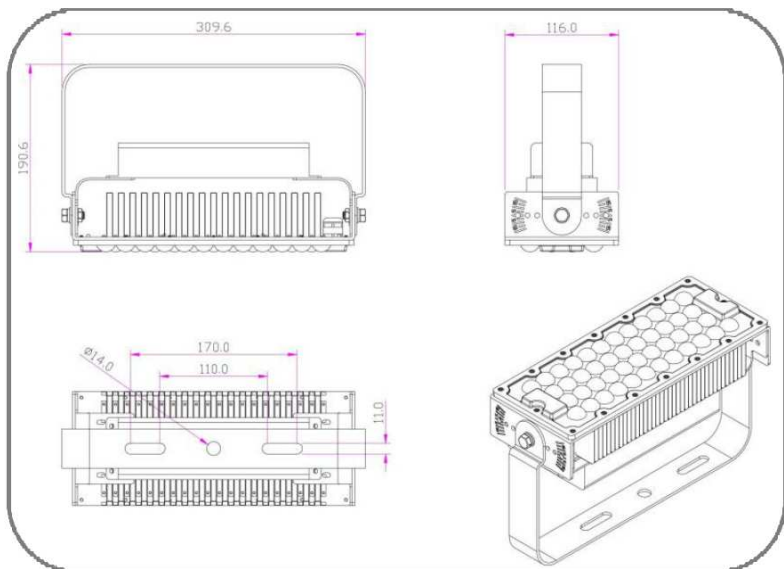


Optional driver cover

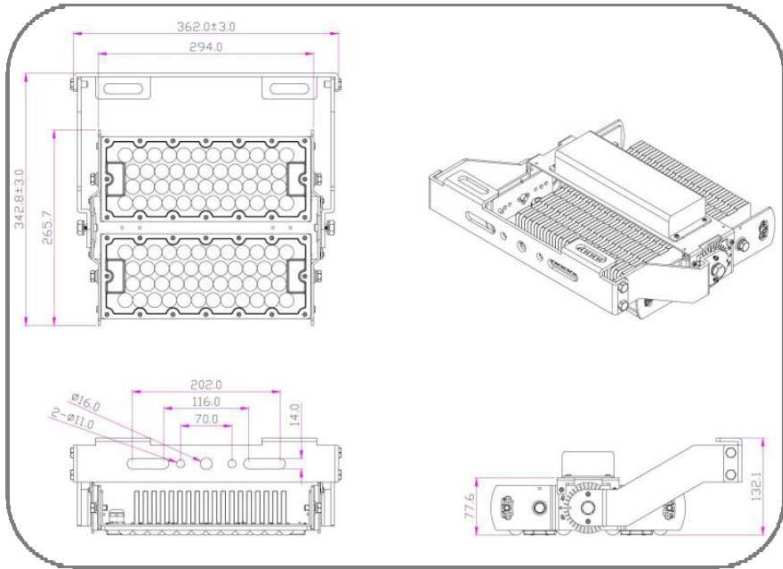
Mounting solutions & Light Distribution Curve



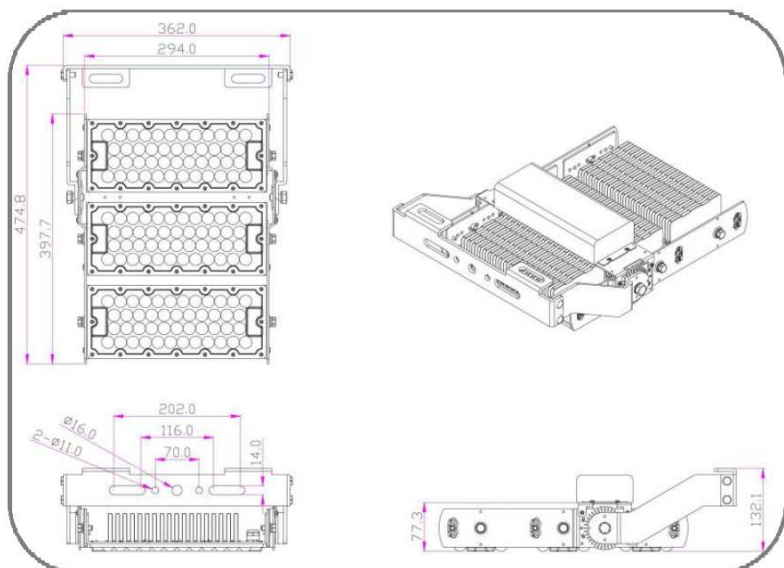
Dimension



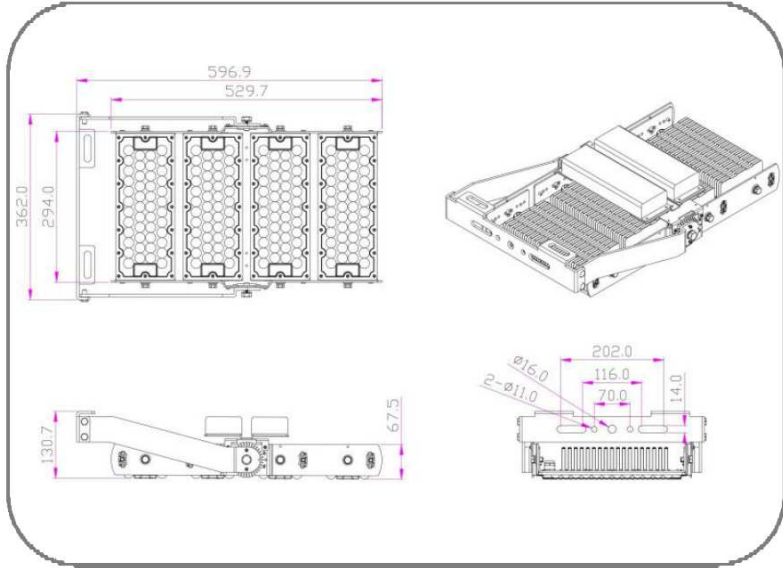
LS2-100



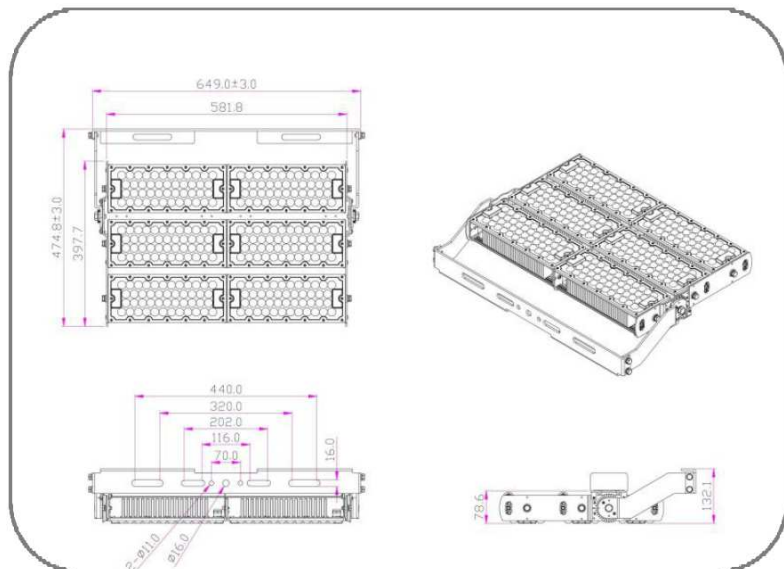
LS2-150 & LS2-200



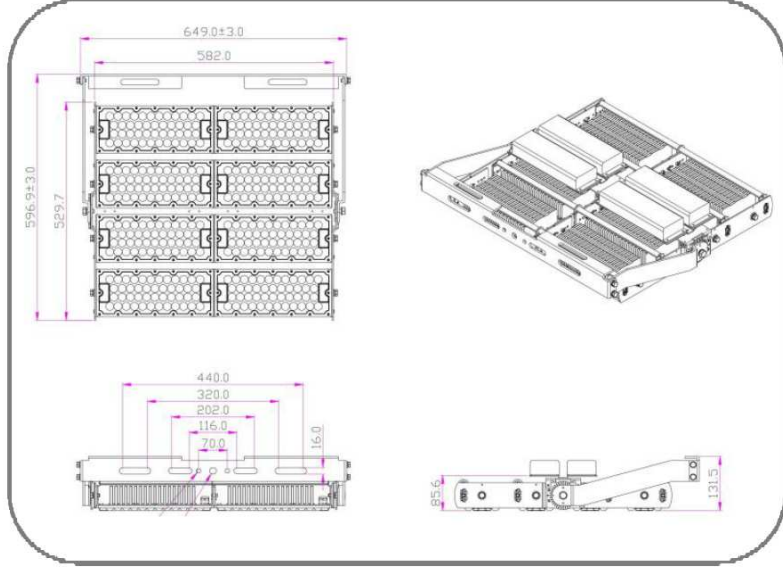
LS2-250 & LS2-300



LS2-400

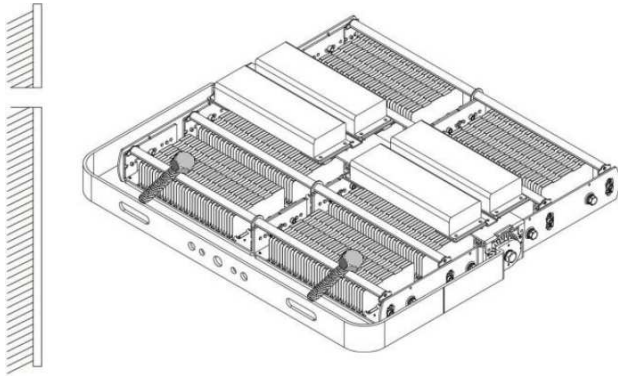


LS2-500 & LS2-600 & LS2-700



LS2-800 & LS2-900

Installation



1. Take out the lamp from packing box.
2. Fix the light on mounting frame and keep stable placement. For safety, make sure the power cables are connected by electricians. The power cord is 1.0MM² triple shield wire, the brown is live wire, blue is neutral wire, and yellow/green is earth wire.
3. Turn LED bars to make light distribute to specified place

Maintenance / Repairing instruction

1. Make sure the power has been turned off before maintenance or repairing.
2. Clean PC lens regularly to maintain high transmission of light.
3. Clean up dust from PC lens and heat-sink regularly to keep sound heat dissipation.
4. Be careful not to use water or corrosive solution for cleaning, preferably with a dry cloth.
5. When install or replace power supply, directly take off it with a screwdriver, then remove the power supply.

On DC power output, the red cable corresponds to the positive power polarity, and black corresponds to the negative. Pay attention do not reverse the positive and the negative in any circumstance.

Package

Module	Qty/Carton	Carton Size	Net Weight	Gross Weight
LS2-100	1PCS	37x27x19CM	3KG	3.5
LS2-150	1PCS	42x38x19CM	5KG	5.5
LS2-200	1PCS	42x38x19CM	5KG	5.5
LS2-250	1PCS	52x42x19CM	6.5KG	7.5
LS2-300	1PCS	52x42x19CM	7KG	8
LS2-400	1PCS	65x42x19CM	9KG	10
LS2-500	1PCS	71x53x19CM	11.5KG	13
LS2-600	1PCS	71x53x19CM	12.5KG	14KG
LS2-700	1PCS	71x53x19CM	12.5KG	14KG
LS2-800	1PCS	71x66x19CM	18KG	19.5KG
LS2-900	1PCS	71x66x19CM	19KG	20.5KG